



## BIN350-P

### ICE STORAGE BIN

Stainless steel storage bin which sits underneath a range of Brema modular ice machine heads.

The BIN350-P stores 350kg of ice and has an insulated polyethylene moulded tank and door to ensure long-lasting, quality ice.

When coupled with an ice cube or ice lake head, the BIN350 generously stores ice to meet peak demand times for a range of applications.

Can be coupled with: C150, C300, VM500/900/1700, TM250/450, G280/510, M350/600.

#### STANDARD FEATURES

- 350kg storage capacity
- Can be coupled with a range of Brema modular ice machine heads
- Stainless steel 18/8 construction
- Polyethylene moulded tank and door for insulation

#### STANDARD ACCESSORIES

- Drainage hose
- Adjustable stainless steel legs (4)
- Plastic ice scoop



#### DIMENSIONS

1250W x 815D x 1000\*H mm \*(add 100-160mm for adjustable legs)

Clearances: Rear: 100mm Sides: 100mm

#### CONNECTIONS

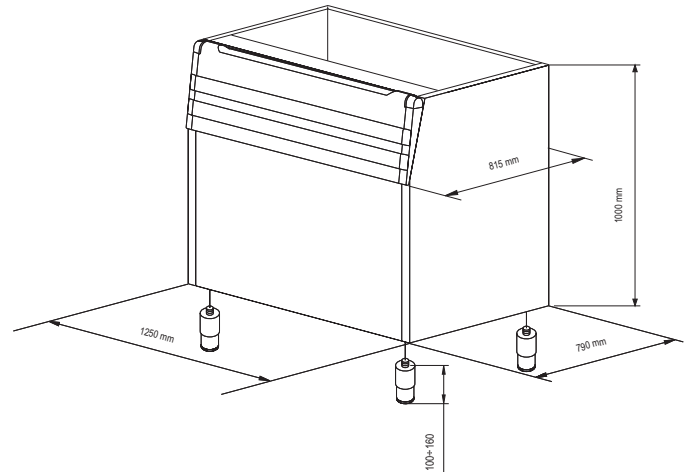
24mm Water outlet

#### TECHNICAL DATA

Storage Capacity: 350kg  
Weight: 105kg

#### USABLE WITH MODULAR HEADS

C150, C300, VM500/900/1700, TM250/450, G280/510, M350/600



SPECIFICATIONS ARE SUBJECT TO CHANGE WITHOUT NOTICE.



**National Head Office**  
156 Swann Drive  
Derrimut VIC 3030  
Tel: +61 3 8369 4600  
Fax: +61 3 8369 4699  
[www.comcater.com.au](http://www.comcater.com.au)

**Melbourne**  
96-100 Tope Street  
South Melbourne VIC 3205  
Tel: +61 3 8369 4600  
Fax: +61 3 8699 1299

**Sydney**  
20/4 Avenue of the Americas  
Newington, NSW 2127  
Tel: +61 2 9748 3000  
Fax: +61 2 9648 4762

**Brisbane**  
46-60 Dunhill Crescent  
Morningside QLD 4170  
Tel: +61 7 3900 2700

**Perth**  
Unit 16, 7 Abrams Street  
Balcatta, WA 6021  
Tel: +61 8 6217 0700  
Fax: +61 8 6217 0799