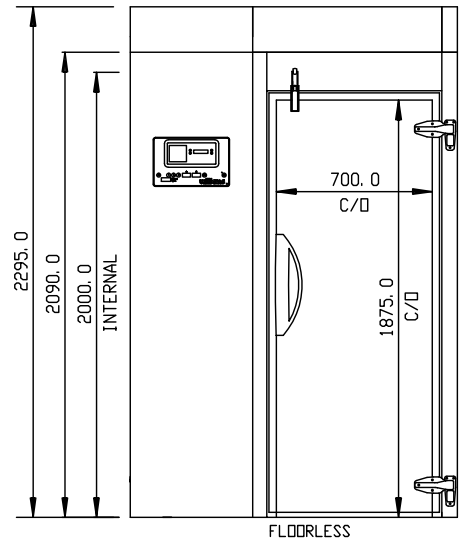
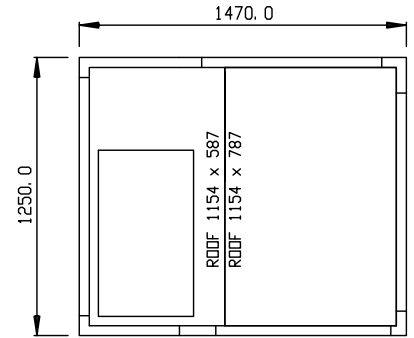
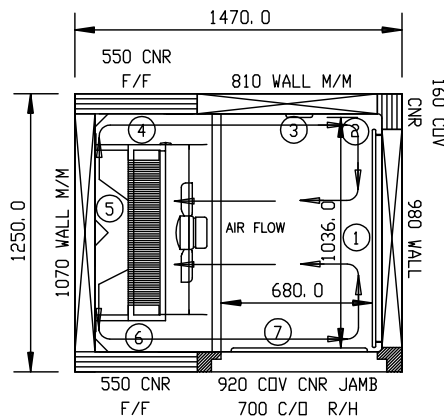


# WMBC90



CATEGORY	BLAST CHILLER/FREEZERS
RANGE	<b>Blast Chiller Roll In 700mm</b>
UNIT	CHILLER
TYPE	REMOTE
DOORS	1



## SPECIFICATIONS

<b>CAPACITY - CHILLING/FREEZING PER 90/240 MIN CYCLE #</b>	90 kg
<b>CAPACITY 2/1 TROLLEY BLAST CHILLER</b>	1
<b>DIMENSIONS W X D X H MM BLAST CHILLER</b>	1470 W x 1250 D x 2295 H
<b>WEIGHT UNPACKED (KG)</b>	650 kg
<b>DOOR TYPE</b>	SD (Solid Door)
<b>FINISH (INTERIOR AND EXTERIOR)</b>	SS (Stainless Steel)

## ELECTRICAL

<b>POWER SUPPLY -</b>	<b>3 PHASE*</b>	16 amp
<b>FRIDGE MODELS</b>	<b>BLAST RUNNING AMPS</b>	4.3

## GAS TYPE

<b>REFRIGERANT</b>	R404a
--------------------	-------

## REFRIGERATION WATTAGES FOR REMOTE UNITS

<b>CHILLER</b>	8.6kW @ -15°C SST
----------------	-------------------

\*Blast ChillerS are rated for 415 v 50 Hz Three Phase

# Based on Blast chilling of 50 mm max depth of uncovered dense food such as mashed potato. Times will vary depending on the container and food types as well as the thermal conductivity of the food