

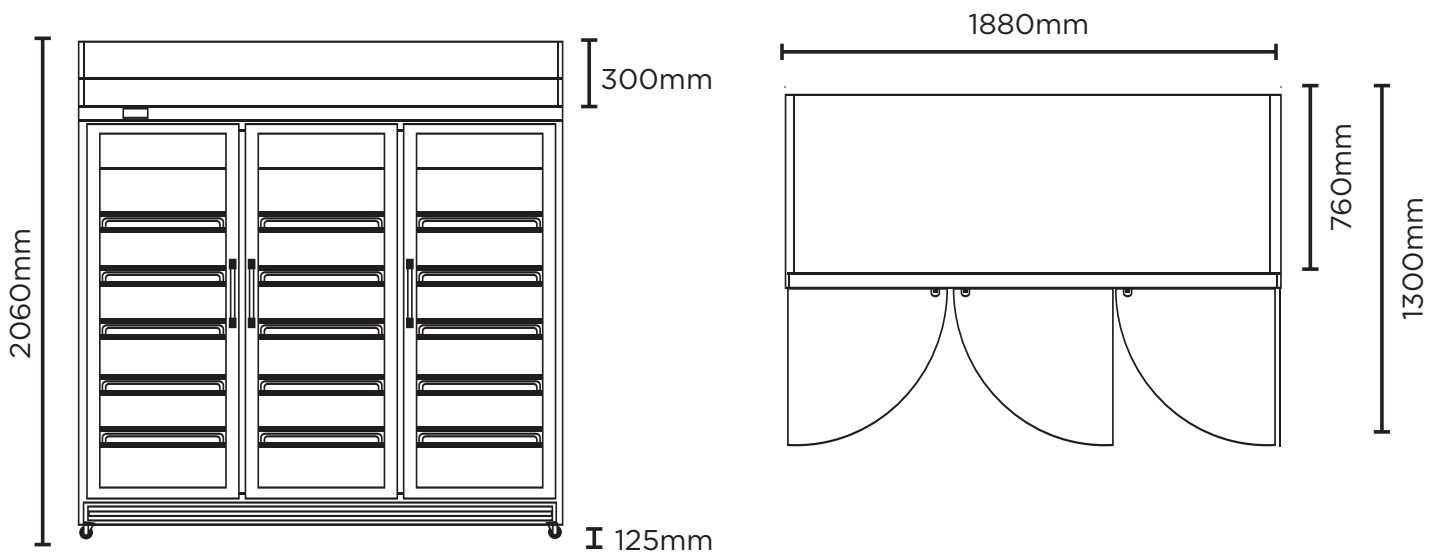
# Flat Glass Door 1507L LED Display Fridge

| Vertical Display & Storage



# Flat Glass Door 1507L LED Display Fridge

| Vertical Display & Storage



SPECIFICATIONS				DIMENSIONS	
Model Number	GD1500LF	Colour	White with s/steel trim		
Part Number	3736247	Display Light Box	Yes	<b>External (mm)</b>	
Volume	1507L	Internal Light	LED	<b>Width</b>	1880
Unit Weight	209kg	No. of Doors	3	<b>Depth</b>	760
Packaged Weight	214kg	Door Type	Glass	<b>Height</b>	2060
Adjustable Temp. Range	+2°C to +8°C	Door Glass Type	Double glazed		
Max. Ambient Temp.	38°C	Door Style	Hinged	<b>Internal (mm)</b>	
Climate Class	3M2	Door Shape	Flat	<b>Width</b>	1755
Energy Consumption	27.16kWh/24h	Door Swing Dimension	720mm	<b>Depth</b>	550
GEMS Star Rating	1 star	Total Depth of door open	1300mm	<b>Height</b>	1420
Refrigeration Capacity	1132W	Self-Closing Door	Yes		
Refrigerant	R134a	Door Lock	Yes	<b>Packaged (mm)</b>	
Rated Current	7A	No. of Shelves incl Base	6	<b>Width</b>	1950
Electrical Voltage	220-240V	Shelf Type	Adjustable	<b>Depth</b>	850
Frequency	50Hz	Shelves Dimensions	10 x 546(w) x 475(d) mm, 5 x 600(w) x 475(d) mm	<b>Height</b>	2130
Power Supply	Single Phase	Temp. Controller	Digital		
Power Plug	1 x 10A	Castors	Yes		
Plug Location	Top right	Warranty	2 Years Bromic Extra Care Warranty - Labour and Parts		