

MX85ATS7 Reach-in Blast Chiller / Freezer

Standard Features

- Free standing and self-contained unit on legs
- 7" ergonomic touch screen with large keys for ease of use
- User friendly operation with easy to use functions:
 - Hard or soft chill / freeze mode
 - Easy switch to probe or timer mode
 - Self Adaptive intelligent chilling mode
- Auxiliary functions: ice cream hardening, ventilated drying, multiple timers, customisable multiple phases, raw fish sanitation
- 40 program cycles with favourites key – shortcuts to last 9 programs used
- Pre-chilling cycle key to maximise efficiency
- Automatic hold mode after each cycle
- Manual defrosting with automatic control of time
- 3 point core temperature probe
- Timer mode or continuous run
- Integrated door latch to aerate cabinet when not in use
- Automatic fan stop when opening the door
- External and internal finish made of 304 stainless steel
- Heated door frame to reduce condensation
- Injected polyurethane foam insulation - 60mm thick

Please refer to Moffat price list for options and accessories

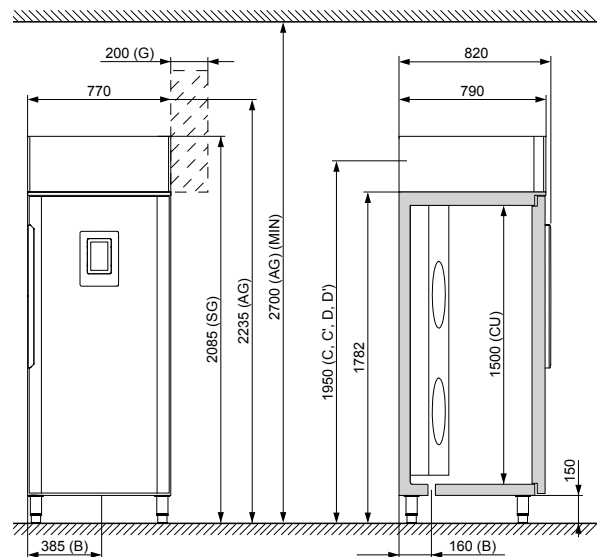
Technical data

Tray capacity	21 x 1/1GN trays
Tray clearance	66mm
External dimensions	W 770mm x D 790mm x H 2235mm
Load capacity	85kg* chill / 40kg freeze*
Electrical connections	3P+N+E, 400-415V, 50/60Hz, 20A, 4.0kW
Nett weight	210kg
Waste	Provide for a water runoff with trap
Air-cooled condensing unit - Refrigerant type R452A	
Ambient temperature requirement +15°C — +32°C	

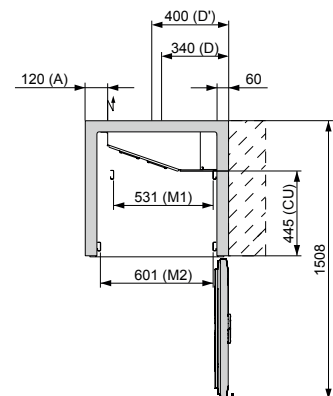
* Note – Load capacities may vary depending on the thermal conductivity of the food being chilled, the thickness of product and container used



Dimensions



- (M1) MX 85-40 A TS7
- (M2) SXP 43 A TS7
- (A) Electrical power supply
- (B) De-icing water runoff
- (AG) Without housed unit
- (G) Area to keep clear for ventilation of the condensing unit
- (D) Liquid line 1/2"
- (D') Suction line 7/8"
- (CU) Useful
- (MIN) Minimum



Australia
moffat.com.au

Moffat Pty Limited
740 Springvale Road
Mulgrave
Victoria 3170
Australia
Telephone +613-9518 3888
Facsimile +613-9518 3833
vsales@moffat.com.au

New Zealand
moffat.co.nz

Moffat Limited
45 Illinois Drive
Izone Business Hub
Rolleston 7675
New Zealand
Telephone +64 3-983 6600
Facsimile +64 3-983 6660
sales@moffat.co.nz

Disclaimer: All unit capacities are based on subjective testing. Moffat accepts no liability for production values. In line with policy to continually develop and improve its products, Moffat Limited reserves the right to change specifications and design without notice.

© Copyright Moffat Ltd
AN-FRI-S-2101

