

RVT665EHT, RVT665CGHT

Rotovent Rotating Single Rack Oven - Convection style

Product Features

- 3 fans, for perfect baking balance
- Stainless steel hood with extraction fan
- Double glass door insert, with internal light, removable for easy service
- Double steam generator for high volume steam production
- Stainless steel interior and exterior
- Five speed air circulating fans inside the baking chamber
- Programmable touch control panel for storing of 99 memories



RVT665

Tagliavini has a rich history of manufacturing rotating rack and deck ovens that deliver outstanding baking performance. Located in Parma, Italy, Tagliavini has been producing high-quality, high-performing baking equipment since 1934. With a clear focus on energy efficiency and reliability, Tagliavini ovens are built to last in the most demanding of baking environments, all the while delivering incredible baking results

The Tagliavini range includes single and double rack ovens in both electric and gas heated options, modular deck ovens from 2 to 24 tray capacity, Artisan deck ovens up to 24.7 sqm of baking surface and available with integrated loader options, Convection and Pizza deck ovens.

RVT665EHT, RVT665CGHT

Rotovent Rotating Single Rack Oven - Convection style

Model RVT665EHT

Dimensions

Width 1120mm
 Depth (inc Hood) 2100mm + 100mm
 Height (inc Extraction) 2755mm

Electrical Requirements

400-415V, 3P+N+E, 50Hz, 32kW*
 *26kW & 36kW optional also available

Model RVT665CGHT

Gas burner included

Dimensions

Width 1120mm
 Depth (inc Hood) 2100mm + 100mm
 Height (inc Extraction) 2755mm

Electrical Requirements

400-415V, 3P+N+E, 50Hz, 7.5kW, 138Mj/h

Additional Information

Tagliavini Modular Deck ovens require one wall mounted isolator for each deck.
 Ovens come fully assembled (modular component form optional).
 Depth excludes protrusions i.e. door handles, flue handles.
 Overall height excludes final water inlet fittings on the top of the oven

moffat.com.au
 moffat.co.nz

Australia
 moffat.com.au

Moffat Pty Limited

Victoria/Tasmania
 740 Springvale Road
 Mulgrave, Victoria 3170
 Telephone +613-9518 3888
 Facsimile +613-9518 3833
 vsales@moffat.com.au

New South Wales

Telephone +612-8833 4111
 nswsales@moffat.com.au

South Australia

Telephone +613-9518 3888
 vsales@moffat.com.au

Queensland

Telephone +617-3630 8600
 qldsales@moffat.com.au

Western Australia

Telephone +618-9413 2400
 wasales@moffat.com.au

New Zealand

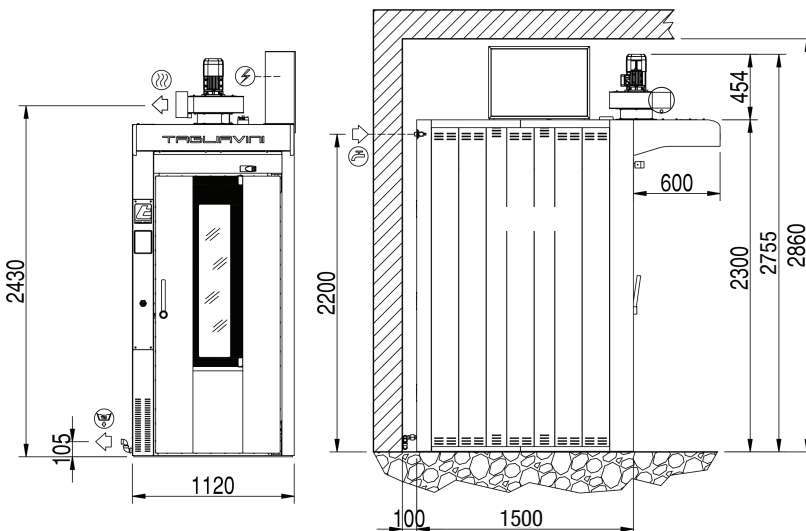
moffat.co.nz

Moffat Limited

Rolleston
 45 Illinois Drive
 Izone Business Hub
 Rolleston 7675
 Telephone +64 3-983 6600
 Facsimile +64 3-983 6660
 sales@moffat.co.nz

Auckland

Telephone +64 9-574 3150
 sales@moffat.co.nz



In line with policy to continually develop and improve its products, Moffat Limited reserves the right to change specifications and design without notice. This specification sheet is meant for commercial purpose only. For technical documentation please refer to our service manuals.

© Copyright Moffat Ltd
 AN.T0121

an Ali Group Company



The Spirit of Excellence