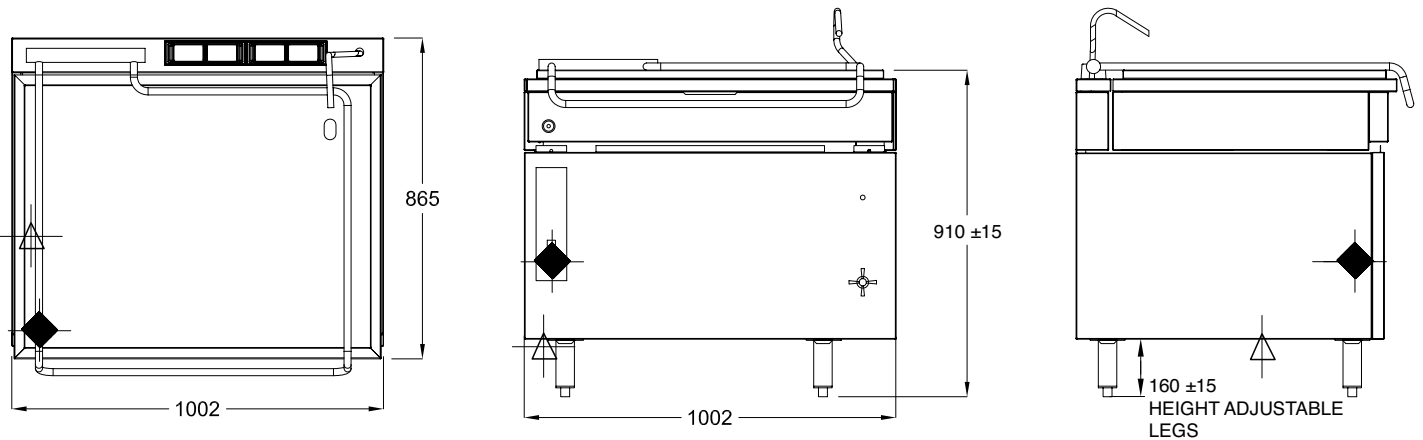




# 800 SERIES BRATT PAN

## TPE100 – Electric

- Capacity of 78 litre stainless steel pan
- 10 mm thick Duplex seamless stainless steel base provides improved heat retention, even heat and ease of cleaning
- Electric tilt as standard
- Thermostatically controlled (50 °C to 320 °C)
- Ergonomically designed counter balanced lid with heavy duty hinge
- Heavy duty fully welded stainless steel frame ensures rigidity and durability



## TPE100

### SPECIFICATIONS

<b>Dimensions (WxDxH)</b>	1002 x 865 x 920 mm
<b>Working height</b>	825 mm
<b>Pan Size (WxDxH)</b>	895 x 670 x 195 mm
<b>Capacity</b>	78 L

<b>Electric Connection</b>	3 phase, 415V+N+V
<b>Rating</b>	18 kW
<b>Weight</b>	180 kg
<b>Packed</b>	0.8 m <sup>3</sup>

◆ Electrical Wire Inlet (12kW/3 Phase)

⚓ 1/2" Pipe Water Inlet

Please note, due to ongoing product development and improvement, we reserve the right to change product design and specification at any time without notice. Please always refer to the latest specification details at [middleby.com.au](http://middleby.com.au).

Australia's premier food service  
equipment manufacturer

 **MIDDLEBY AUSTRALIA**

[middleby.com.au](http://middleby.com.au)

211-217 Woodpark Road, Smithfield NSW 2164  
1800 013 123 | +61 2 9604 7333

