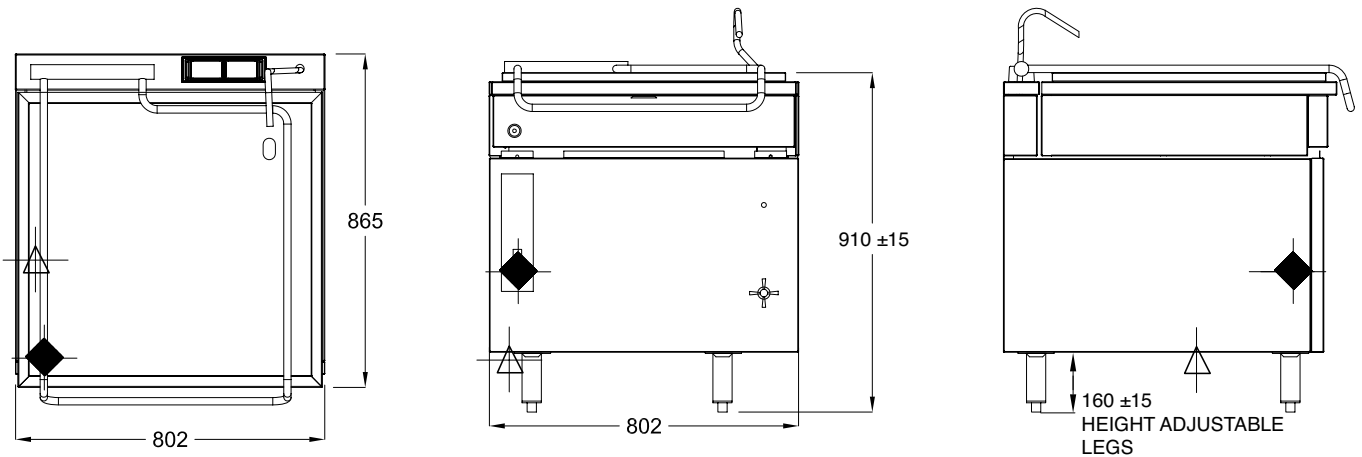




800 SERIES BRATT PAN

TPE80 - Electric

- Capacity of 60 litre stainless steel pan
- 10 mm thick Duplex seamless stainless steel base provides improved heat retention, even heat and ease of cleaning
- Electric tilt as standard
- Thermostatically controlled (50 °C to 320 °C)
- Ergonomically designed counter balanced lid with heavy duty hinge
- Heavy duty fully welded stainless steel frame ensures rigidity and durability



TPE80

SPECIFICATIONS

Dimensions (WxDxH)	802 x 865 x 920 mm
Working height	825 mm
Pan Size (WxDxH)	695 x 670 x 195 mm
Capacity	60 L

Electric Connection	3 phase, 415V+N+V
Rating	12 kW
Weight	159 kg
Packed	0.6 m ³

◆ Electrical Wire Inlet (12kW/3 Phase)

⚓ 1/2" Pipe Water Inlet

Please note, due to ongoing product development and improvement, we reserve the right to change product design and specification at any time without notice. Please always refer to the latest specification details at middleby.com.au.

Australia's premier food service
equipment manufacturer

 **MIDDLEBY AUSTRALIA**

middleby.com.au

211-217 Woodpark Road, Smithfield NSW 2164
1800 013 123 | +61 2 9604 7333

