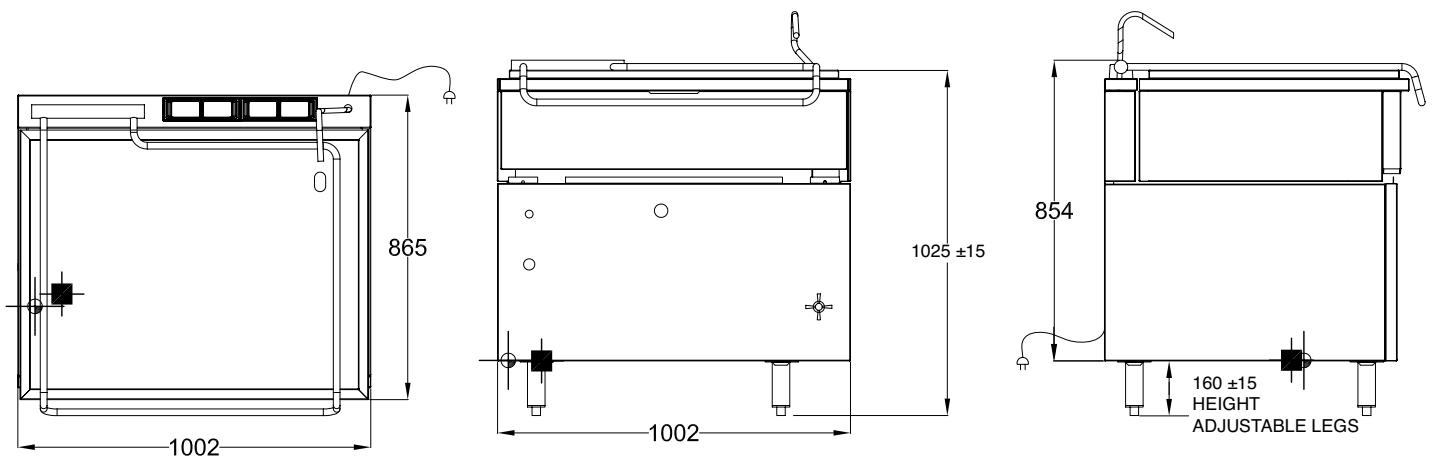




800 SERIES BRATT PAN

TPGI50 - Gas

- Capacity of 125 litre stainless steel pan
- 10 mm thick Duplex seamless stainless steel base provides improved heat retention, even heat and ease of cleaning
- Electric tilt as standard
- Ergonomically designed counter balanced lid with heavy duty hinge
- Heavy duty fully welded stainless steel frame ensures rigidity and durability



TPGI50

SPECIFICATION

Dimensions (WxDxH)	1002 x 865 x 1035 mm
Working height	940 mm
Pan Size (WxDxH)	895 x 670 x 305 mm
Capacity	125 L

Gas Connection	3/4" BSP
Rating	100 MJ
Weight	185 kg
Packed	0.9 m ³

Australia's premier food service
equipment manufacturer

middleby.com.au

211-217 Woodpark Road, Smithfield NSW 2164
1800 013 123 | +61 2 9604 7333

 **MIDDLEBY AUSTRALIA**

