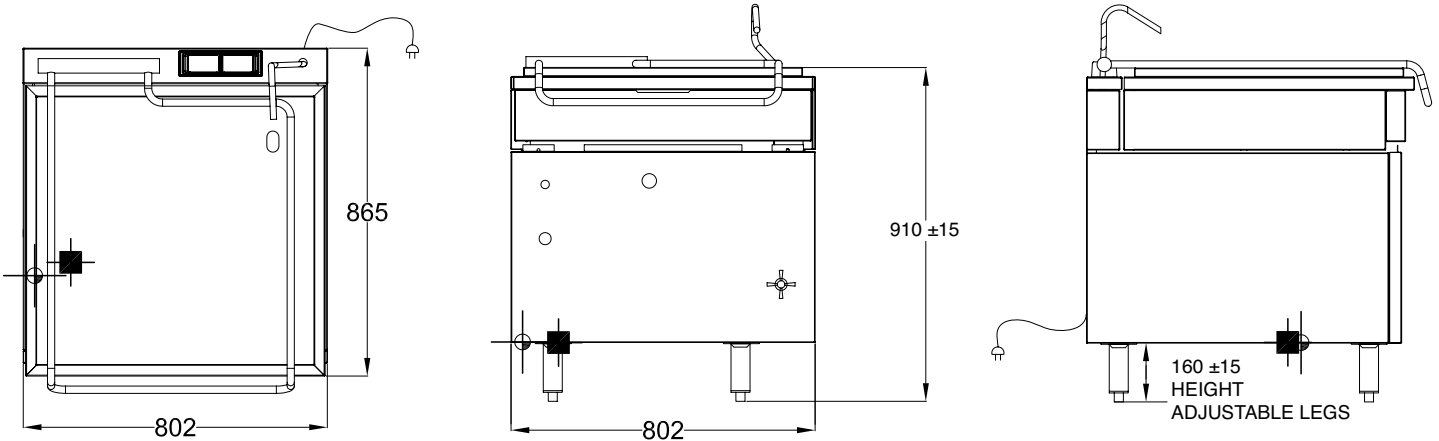




# 800 SERIES BRATT PAN

## TPG80 - Gas

- Capacity of 60 litre stainless steel pan
- 10 mm thick Duplex seamless stainless steel base provides improved heat retention, even heat and ease of cleaning
- Electric tilt as standard
- Ergonomically designed counter balanced lid with heavy duty hinge
- Heavy duty fully welded stainless steel frame ensures rigidity and durability



### TPG80

#### SPECIFICATIONS

<b>Dimensions (WxDxH)</b>	802 x 865 x 920 mm
<b>Working height</b>	825 mm
<b>Pan Size (WxDxH)</b>	695 x 670 x 195 mm
<b>Capacity</b>	60 L

<b>Gas Connection</b>	3/4" BSP
<b>Rating</b>	78 MJ
<b>Weight</b>	159 kg
<b>Packed</b>	0.6 m <sup>3</sup>

Australia's premier food service  
equipment manufacturer

[middleby.com.au](http://middleby.com.au)

211-217 Woodpark Road, Smithfield NSW 2164  
1800 013 123 | +61 2 9604 7333

 **MIDDLEBY AUSTRALIA**

