

Vita-Prep[®] 3

Model: VM10089

Unmatched Performance in Commercial Kitchens

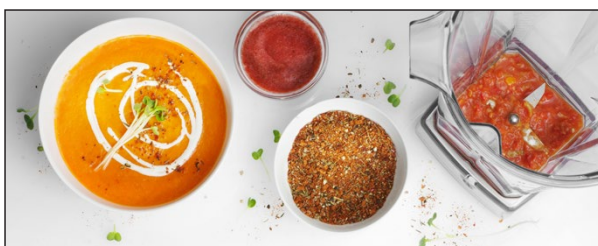
Professional chefs and culinary schools around the world trust the Vita-Prep[®] 3 for exceptional power, versatility and performance. From chopping delicate ingredients to blending tough purees, the Vita-Prep[®] 3 is the only tool that's durable and capable of perfectly chopping, grinding, and blending it all.

Features

- Powerful ~3 HP (peak output)* motor delivers unmatched performance when pureeing, grinding, chopping and more
- Advanced cooling fan for optimum reliability during peak hours of operation
- 2.0 litre high-impact clear container with Wet blade assembly and lid
- Patented Tamper stick allows for control and easy processing of dense ingredients



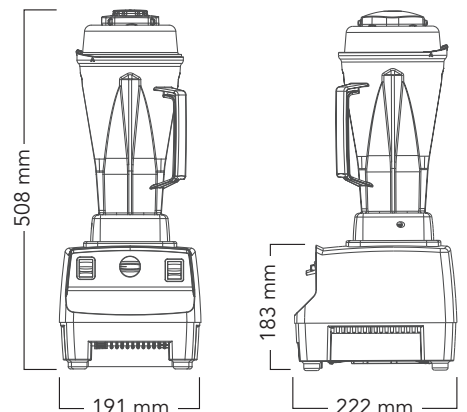
VM10089 pictured



Perfectly chop ingredients

Specifications

- Motor: ~3 HP (peak output)* motor
- Electrical: Standard single phase 10 Amp plug, 230 V, 50/60 Hz, 1200 - 1400 Watts (load dependent)
- Includes: 2.0 litre high impact, BPA-free, clear container, complete with Wet blade assembly, lid, Tamper stick and base



*Load dependent. Varies with voltage. All dimensions are nominal only. Covered by 3 years warranty (1 year parts and labour followed by 2 years parts only). Conditions apply. Refer to our Terms & Conditions of Trade.